

DESCRIPTION: ABOVE AND BELOW P.C.B., DECK IS AS VIEWED BY USER.

PRODUCT NO. 72306-XXX	STAND-OFF HEIGHT DIM L	(A) CLOSEST TO P.C.B. HEADER ASSY 72305-XXX	(B) FARTHEST FROM P.C.B. HEADER ASSY 72305-XXX	(C) MATING RECEPTACLE	MOUNTING STYLE TO PCB
000	0.0	000	005	100 POSITION (2x50) 0.8mm RECEPTACLE PART NO. 73277-101000 ORDER SEPARATELY	
020	2.2	020	025		
040	4.3	040	045		
050	5.0	050	055		
520	2.2	520	525		
540	4.3	540	545		
550	5.0	550	555	100 POSITION (2x50) 0.8mm RECEPTACLE PART NO. 73277-101000LF ORDER SEPARATELY	
000LF	0.0	000LF	005LF		
020LF	2.2	020LF	025LF		
040LF	4.3	040LF	045LF		
050LF	5.0	050LF	055LF		
520LF	2.2	520LF	525LF		
540LF	4.3	540LF	545LF		
550LF	5.0	550LF	555LF		

NOTE:
1. SEE 72305 FOR SINGLE DECK APPLICATIONS

ORDERING INFORMATION	
ORDER:	
1. (A)	DECK CLOSEST TO P.C.B.
2. (B)	DECK FARTHEST FROM P.C.B.
3. (C)	2 EACH MATING RECEPTACLES

mat'l. code				tolerances unless otherwise specified				CUSTOMER COPY		 Electronics FCI www.fciconnect.com	
ltr	ecn no	dr	date	linear	.X±.3				projection	 title CARDBUS DOUBLE DECK ASS'Y SMT TYPE 123	
A	V61041	RHG	9/9/96		.XX±.13						
B	V70392	RHG	6/18/97		.XXX±.051						
C	V81734	DAI	10/6/98	angles	0° ±2°				 scale 1:1	product family MCS size dwg no A4 72306 sheet 1 of 9	
D	V02257	TFG	11/3/00	dr	R.GRAPE	9/9/96					
E	N05-0165	WB	06/15/06	enr	D.BRANN	9/9/96					
				chr	D.BRANN	9/9/96					
				appd	D.BRANN	9/9/96					
sheet index	revision sheet	E	E	E	E	E	E	E	E	E	E
		1	2	3	4	5	6	7	8	9	

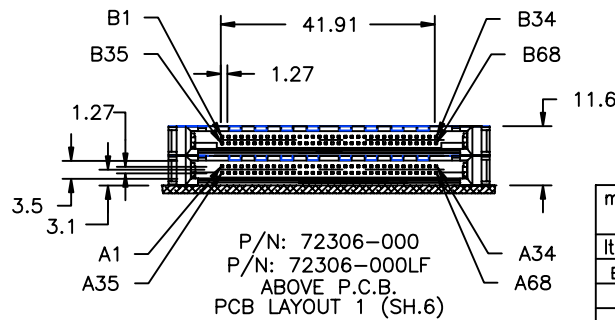
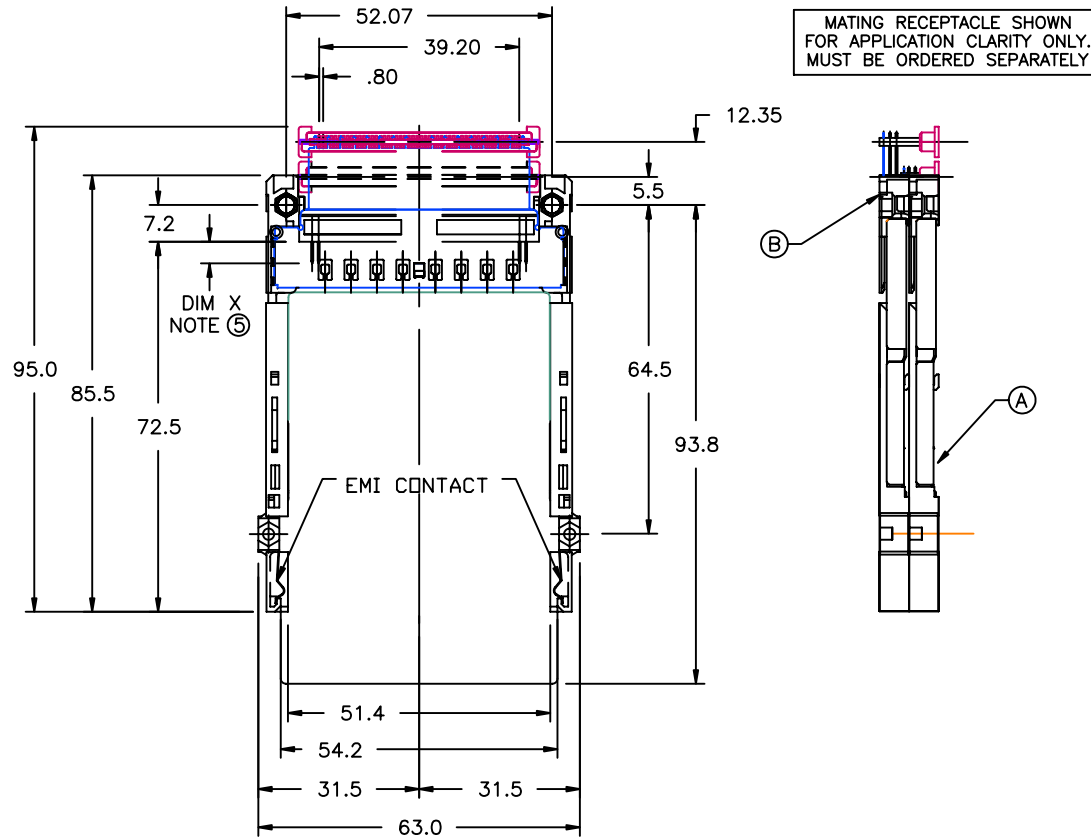
Tous droits strictement reserves. Reproduction ou communication a des tiers interdite sous quelque forme que ce soit sans autorisation écrite du propriétaire. Propriete de c FCI. Droits de reproduction FCI.

All rights strictly reserved. Reproduction or issue to third parties in any form whatever is not permitted without written authority from the proprietor. Property of FCI. Copyright FCI.

Tous droits strictement reserves. Reproduction ou communication a des tiers interdite sous quelque forme que ce soit sans autorisation écrite du propriétaire. Propriete de c FCI. Droits de reproduction FCI.

All rights strictly reserved. Reproduction or issue to third parties in any form whatever is not permitted without written authority from the proprietor. Property of FCI. Copyright FCI.

PRODUCT NUMBER
72306-***/**LF

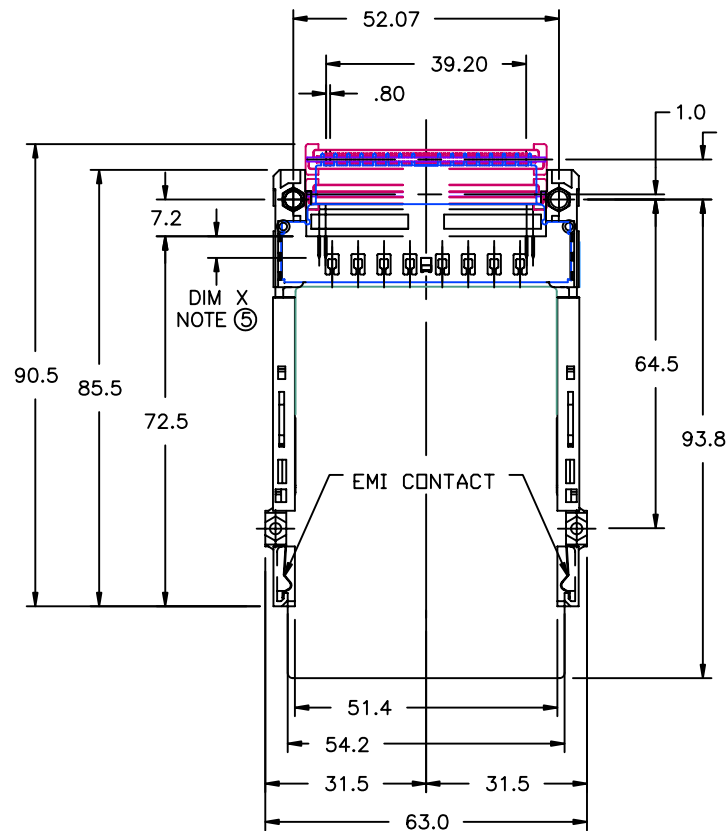


mat'l. code				tolerances unless otherwise specified		CUSTOMER COPY		Electronics www.fciconnect.com		
ltr	ecn no	dr	date	linear	.X±.3		projection	title		
E					.XX±.13				CARDBUS DOUBLE DECK ASS'Y SMT TYPE 123	
					.XXX±.051				product family MCS	
				angles	0° ±2'		MM scale 1:1	size dwg no		
				dr	R.GRAPE	9/9/96		A4 72306		sheet 2 of
				enr	D.BRANN	9/9/96				
				chr	D.BRANN	9/9/96				
				appd	D.BRANN	9/9/96				
sheet index	revision sheet									

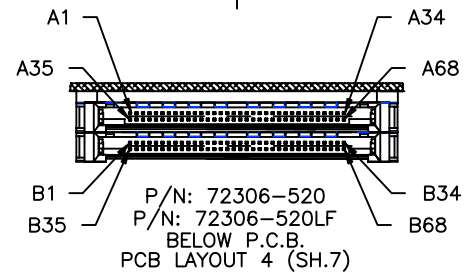
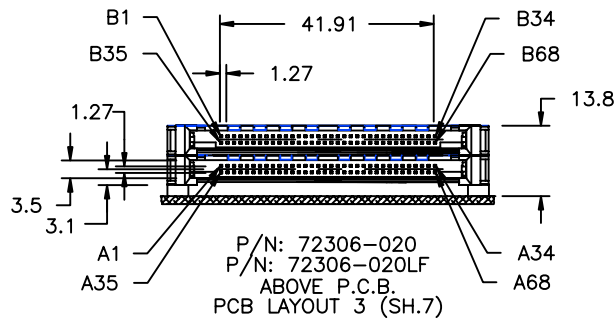
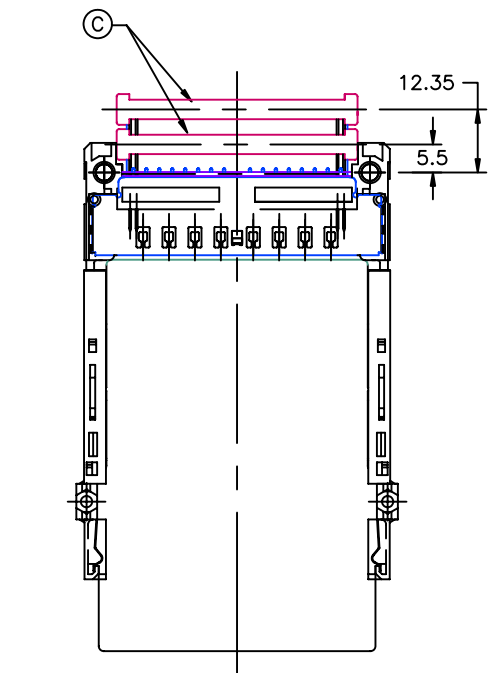
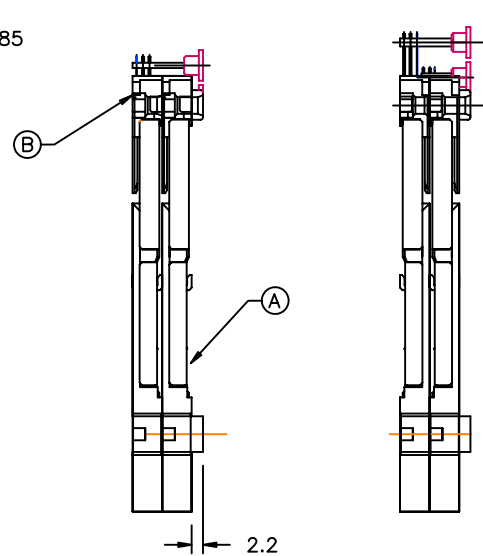
Tous droits strictement reserves. Reproduction ou communication a des tiers interdite sous quelque forme que ce soit sans autorisation ecrite du proprietaire. Propriete de c FCI. Droits de reproduction FCI.

All rights strictly reserved. Reproduction or issue to third parties in any form whatever is not permitted without written authority from the proprietor. Property of FCI. Copyright FCI.

PRODUCT NUMBER
72306-***/**LF



MATING RECEPTACLE SHOWN FOR APPLICATION CLARITY ONLY. MUST BE ORDERED SEPARATELY



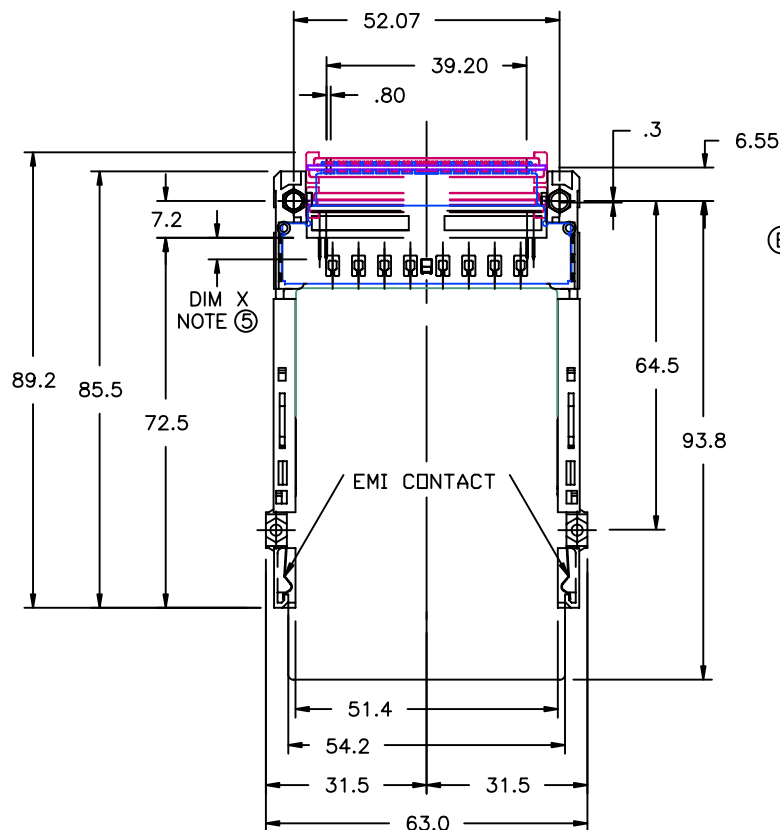
mat'l. code				tolerances unless otherwise specified		CUSTOMER COPY		Electronics www.fciconnect.com	
ltr	ecn no	dr	date	linear	.X±.3		projection	title	
E					.XX±.13			CARDBUS DOUBLE DECK	
					.XXX±.051			ASS'Y SMT TYPE 123	
				angles	0° ±2'			product family MCS	
				dr	R.GRAPE	9/9/96		code	
				enr	D.BRANN	9/9/96		-	
				chr	D.BRANN	9/9/96		size dwg no	
				appd	D.BRANN	9/9/96		A4 72306	
sheet index	revision sheet						scale 1:1	sheet 3 of	

All rights strictly reserved. Reproduction or issue to third parties in any form whatever is not permitted without written authority from the proprietor. Property of FCI. Copyright FCI.

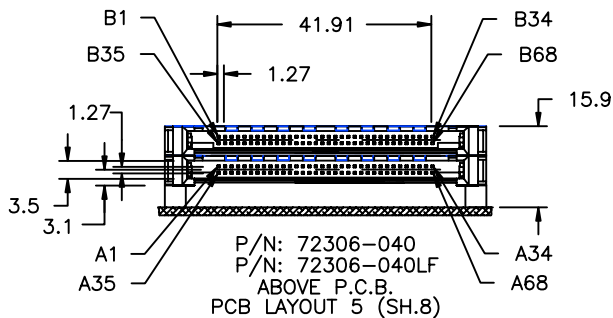
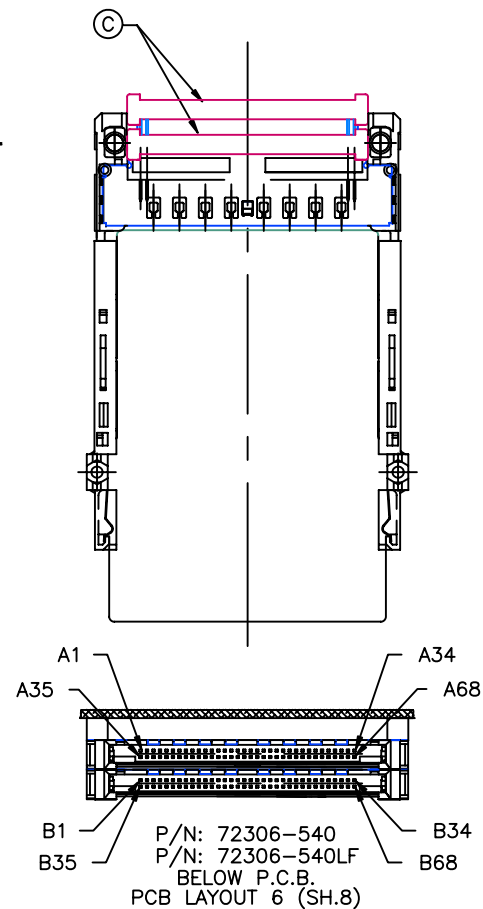
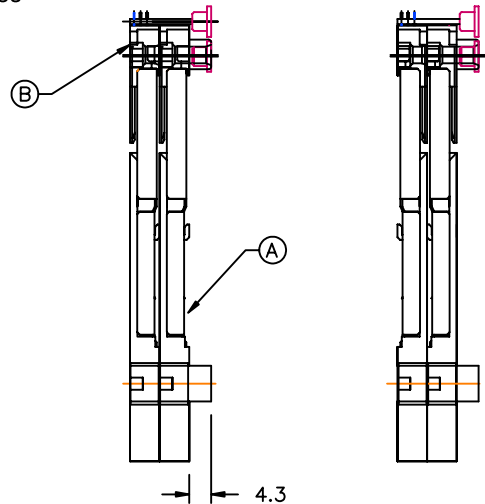
Tous droits strictement reserves. Reproduction ou communication a des tiers interdite sous quelque forme que ce soit sans autorisation ecrite du proprietaire. Propriete de c FCI. Droits de reproduction FCI.



PRODUCT NUMBER
72306-***/**LF



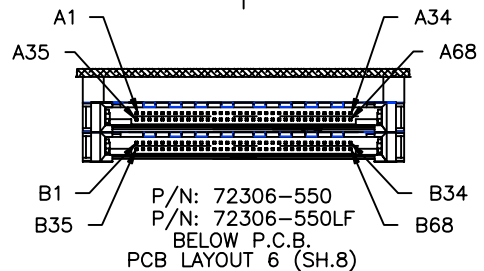
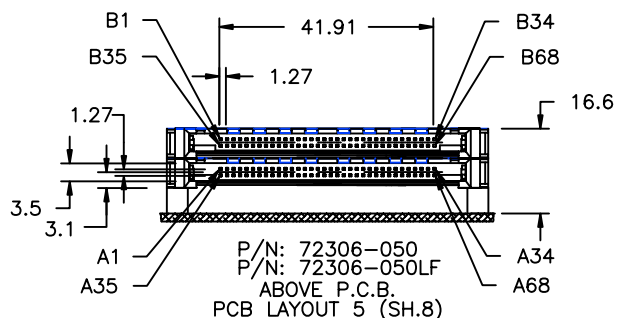
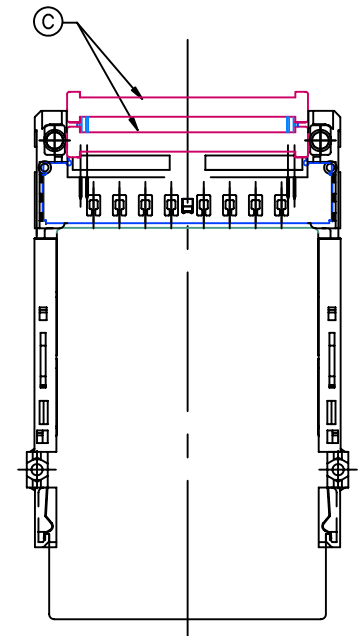
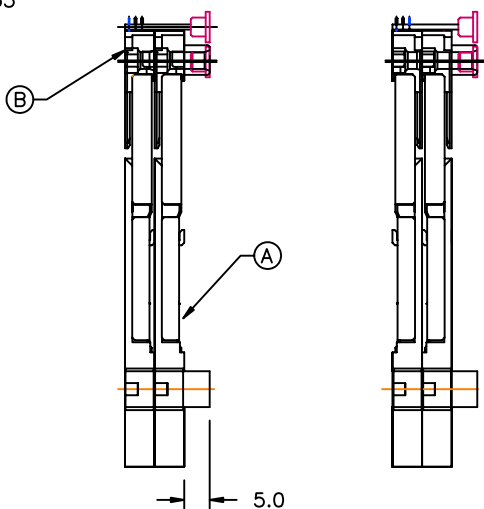
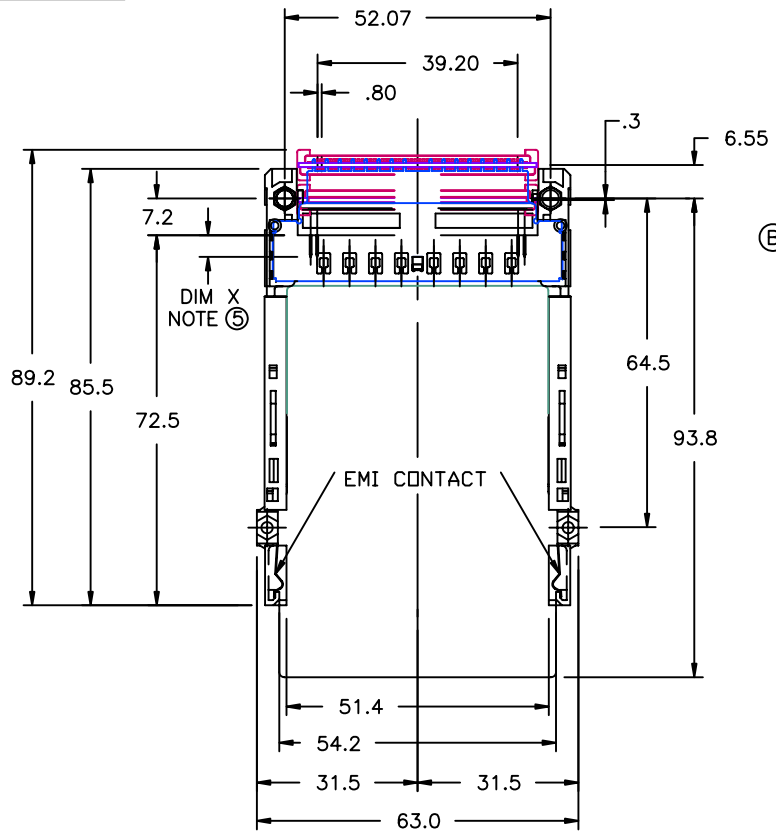
MATING RECEPTACLE SHOWN FOR APPLICATION CLARITY ONLY. MUST BE ORDERED SEPARATELY



mat'l. code				tolerances unless otherwise specified		CUSTOMER COPY		Electronics www.fciconnect.com			
ltr	ecn no	dr	date	linear	.X±.3	projection		title			
E					.XX±.13			CARDBUS DOUBLE DECK		code	
					.XXX±.051			ASS'Y SMT TYPE 123		-	
				angles	0° ±2'	MM scale 1:1		product family MCS		sheet 4 of	
				dr	R.GRAPE 9/9/96			size dwg no			72306
				enr	D.BRANN 9/9/96						
				chr	D.BRANN 9/9/96						
				appd	D.BRANN 9/9/96						
sheet index	revision sheet							cage code			

PRODUCT NUMBER
72306-***/**LF

MATING RECEPTACLE SHOWN
FOR APPLICATION CLARITY ONLY.
MUST BE ORDERED SEPARATELY



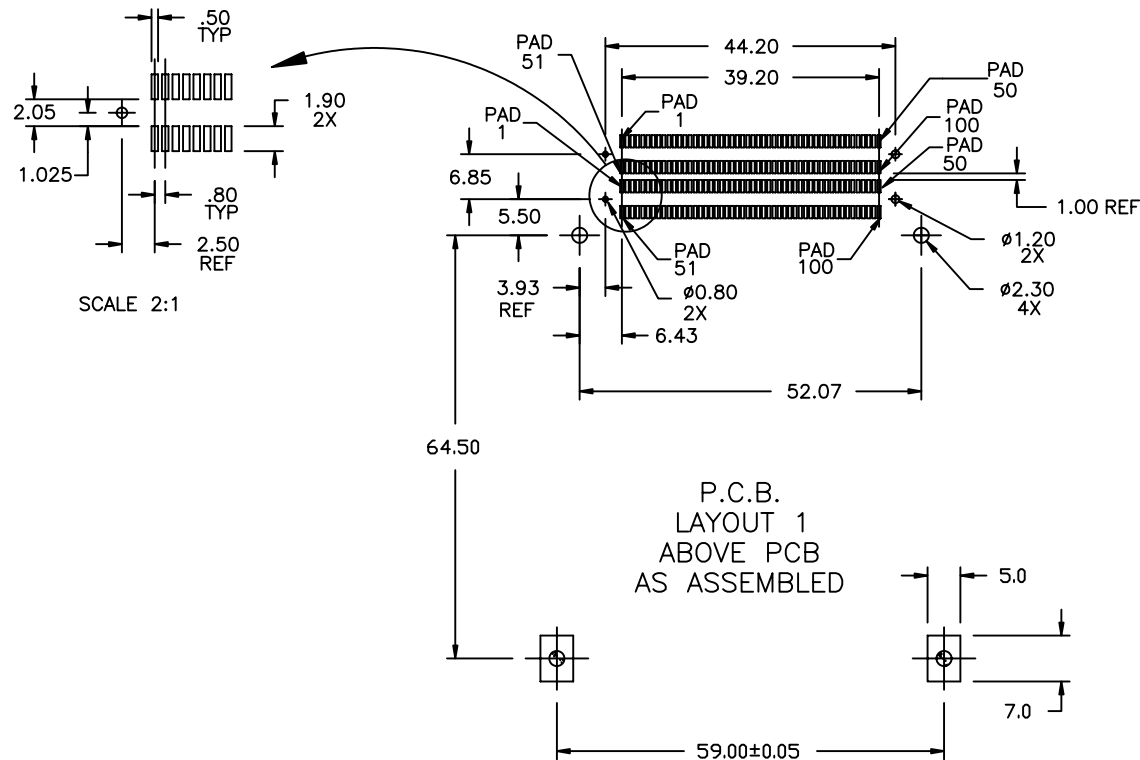
Tous droits strictement reserves. Reproduction ou communication a des tiers interdite sous quelque forme que ce soit sans autorisation ecrite du proprietaire. Propriete de c FCI. Droits de reproduction FCI.

All rights strictly reserved. Reproduction or issue to third parties in any form whatever is not permitted without written authority from the proprietor. Property of FCI. Copyright FCI.



mat'l. code				tolerances unless otherwise specified		CUSTOMER COPY		Electronics www.fciconnect.com		
ltr	ecn no	dr	date	linear	.X±.3		projection	title		
E					.XX±.13				CARDBUS DOUBLE DECK	
					.XXX±.051				ASS'Y SMT TYPE 123	
				angles	0° ±2'			product family MCS		
				dr	R.GRAPE	9/9/96		size		
				enr	D.BRANN	9/9/96		dwg no		
				chr	D.BRANN	9/9/96		A4 72306		
				appd	D.BRANN	9/9/96		sheet 5 of		
sheet index	revision sheet									

P.C.B. LAYOUT FOR 0mm STANDOFF



P.C.B.
LAYOUT 1
ABOVE PCB
AS ASSEMBLED

Tous droits strictement reserves. Reproduction ou communication a des tiers interdite sous quelque forme que ce soit sans autorisation écrite du propriétaire. Propriete de c FCI. Droits de reproduction FCI.

All rights strictly reserved. Reproduction or issue to third parties in any form whatever is not permitted without written authority from the proprietor. Property of FCI. Copyright FCI.

FCI

B

A

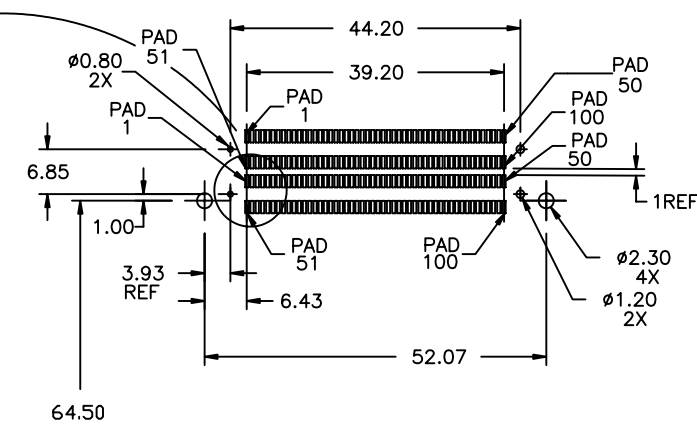
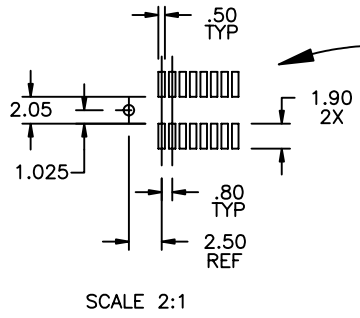
B

mat'l. code				tolerances unless otherwise specified			CUSTOMER COPY		Electronics www.fciconnect.com	
ltr	ecn no	dr	date	linear	.X±.3		projection	title CARDBUS DOUBLE DECK ASS'Y SMT TYPE 123		
E					.XX±.13					
					.XXX±.051					
				angles	0° ±2'		scale 1:1	product family		code
				dr	R.GRAPE	9/9/96		MCS		-
				enr	D.BRANN	9/9/96		size dwg no		sheet
				chr	D.BRANN	9/9/96		A4		6 of
				appd	D.BRANN	9/9/96		72306		
sheet index	revision sheet									

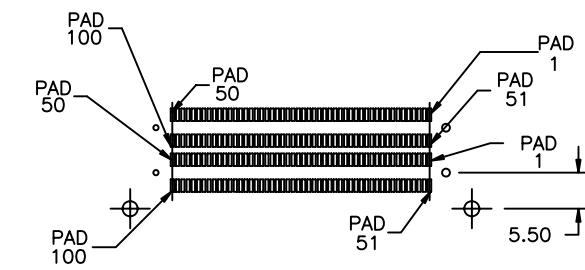
P.C.B. LAYOUT FOR 2.2mm STANDOFF

Tous droits strictement reserves. Reproduction ou communication a des tiers interdite sous quelque forme que ce soit sans autorisation écrite du propriétaire. Propriete de c FCI. Droits de reproduction FCI.

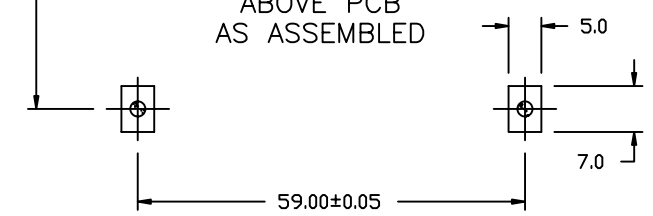
All rights strictly reserved. Reproduction or issue to third parties in any form whatever is not permitted without written authority from the proprietor. Property of FCI. Copyright FCI.



P.C.B. LAYOUT 3 ABOVE PCB AS ASSEMBLED

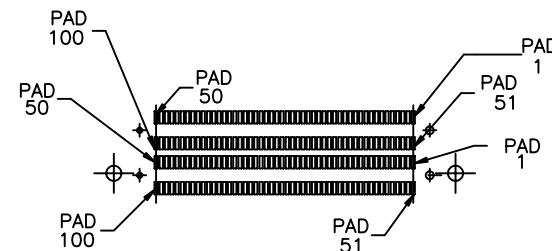
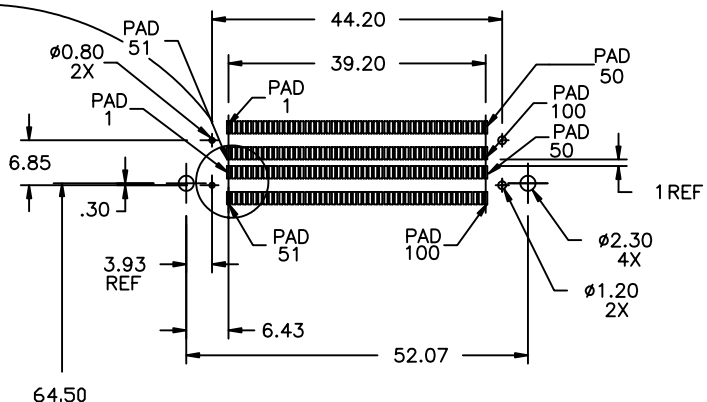
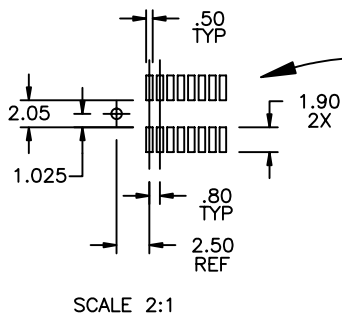


P.C.B. LAYOUT 4 BELOW PCB AS ASSEMBLED



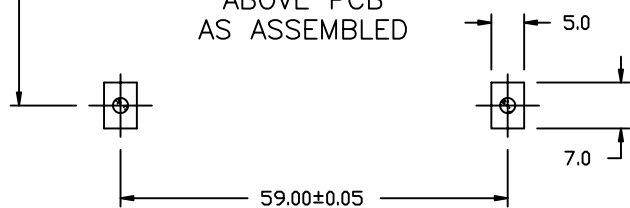
mat'l. code				tolerances unless otherwise specified		CUSTOMER COPY	 Electronics FCI www.fciconnect.com		
ltr	ecn no	dr	date	linear	.X±.3		projection	title	
E					.XX±.13			CARDBUS DOUBLE DECK ASS'Y SMT TYPE 123	
					.XXX±.051			MM scale 1:1	product family
				angles	0° ±2°	size	dwg no		sheet
				dr	R.GRAPE 9/9/96	A4	72306		7 of
				enr	D.BRANN 9/9/96				
				chr	D.BRANN 9/9/96				
				appd	D.BRANN 9/9/96				
sheet index	revision sheet								

P.C.B. LAYOUT FOR 4.3 AND 5.0mm STANDOFFS



P.C.B. LAYOUT 5
ABOVE PCB
AS ASSEMBLED

P.C.B. LAYOUT 6
BELOW PCB
AS ASSEMBLED



Tous droits strictement reserves. Reproduction ou communication a des tiers interdite sous quelque forme que ce soit sans autorisation ecrite du proprietaire. Propriete de c FCI. Droits de reproduction FCI.

All rights strictly reserved. Reproduction or issue to third parties in any form whatever is not permitted without written authority from the proprietor. Property of FCI. Copyright FCI.

A

A

B

B

mat'l. code				tolerances unless otherwise specified		CUSTOMER COPY	Electronics www.fciconnect.com		
ltr	ecn no	dr	date	linear	.X±.3		projection	title	
E					.XX±.13			CARDBUS DOUBLE DECK ASS'Y SMT TYPE 123	
					.XXX±.051			MM scale 1:1	product family
				angles	0° ±2'	size	dwg no		sheet
				dr	R.GRAPE 9/9/96	A4	72306		8 of
				enr	D.BRANN 9/9/96				
				chr	D.BRANN 9/9/96				
				appd	D.BRANN 9/9/96				
sheet index	revision sheet								

Tous droits strictement reserves. Reproduction ou communication a des tiers interdite sous quelque forme que ce soit sans autorisation écrite du propriétaire. Propriete de c FCI. Droits de reproduction FCI.

All rights strictly reserved. Reproduction or issue to third parties in any form whatever is not permitted without written authority from the proprietor. Property of FCI. Copyright FCI.

FCI

HEADER PINOUT	TYPE	BTB 100 POS RECEPTACLE	HEADER PINOUT	TYPE	BTB 100 POS RECEPTACLE
1	GND	1	35	GND	51
2	SIG	2	36	DET	52
3	SIG	3	37	SIG	53
4	SIG	5	38	SIG	55
5	SIG	6	39	SIG	56
6	SIG	8	40	SIG	58
7	SIG	9	41	SIG	59
8	SIG	11	42	SIG	61
9	SIG	12	43	SIG	62
10	SIG	14	44	SIG	64
11	SIG	15	45	SIG	65
12	SIG	17	46	SIG	67
13	SIG	18	47	SIG	68
14	SIG	20	48	SIG	70
15	SIG	21	49	SIG	71
16	SIG	23	50	SIG	73
17	PWR	24	51	PWR	74
18	SIG	27	52	SIG	77
19	SIG	28	53	SIG	78
20	SIG	30	54	SIG	80
21	SIG	31	55	SIG	81
22	SIG	33	56	SIG	83
23	SIG	34	57	SIG	84
24	SIG	36	58	SIG	86
25	SIG	37	59	SIG	87
26	SIG	39	60	SIG	89
27	SIG	40	61	SIG	90
28	SIG	42	62	SIG	92
29	SIG	43	63	SIG	93
30	SIG	45	64	SIG	95
31	SIG	46	65	SIG	96
32	SIG	48	66	SIG	98
33	SIG	49	67	DET	99
34	GND	50	68	GND	100

SHIELD PINOUT	TYPE	BTB 100 POS RECEPTACLE
1	GND	4 & 54
2	GND	7 & 57
3	GND	10 & 60
4	GND	13 & 63
5	GND	16 & 66
6	GND	19 & 69
7	GND	22 & 72
8	GND	25 & 75
9	GND	26 & 76
10	GND	29 & 79
11	GND	32 & 82
12	GND	35 & 85
13	GND	38 & 88
14	GND	41 & 91
15	GND	44 & 94
16	GND	47 & 97



NOTES:

- ORDER MATING RECEPTACLES SEPARATELY.
- RECOMMENDED SCREW TORQUE: 1.0 TO 1.5 MAX in-lbs. (1.2-1.7 cm-kgs).
RECOMMENDED HOLD-DOWN - 2mm SCREWS (95121) AND HEX NUTS (92869).
- MATERIAL:
 - HEADER ASSY:
PLASTIC HOUSING: LCP UL94V-0 BLACK - ABOVE PCB
LCP UL94V-0 BLACK - BELOW PCB
PIN: PHOSPHOR BRONZE
PCB: FR4
 - MECHANISM ASSY:
PLASTIC GUIDE: POLYPHTHARAMID UL94V-0 BLACK
COVER PLATE: STAINLESS STEEL
EMI CONTACT: PHOSPHOR BRONZE
 - .8 BTB RECEPTACLE (73277-101000):
PLASTIC: LCP 94V-0 BLACK
CONTACT: BeCu
- FINISH (PIN)
UNDER PLATING: 0.5um Ni
CONTACT AREA: 0.1um GOLD OVER
0.5um Pd-Ni
SOLDER TAIL: 2.5um Sn-Pb
2.5um PURE Sn (FOR -***LF)

⑤ DIM "X"

4.25±0.1	3.5±0.1	5.0±0.1
OTHERS	36,67	1,17,34,35,51,68

- IF LEAD FREE P.N.THE HOUSING WILL WITHSTAND EXPOSURE TO 260°C PEAK TEMPERATURE FOR 10 SECONDS IN A WAVE SOLDER APPLICATION WITH A 1.00MM MINIMUM THICK CIRCUIT BOARD.
- IF LEAD FREE P/N.THE PRODUCT MEETS EUROPEAN UNION DIRECTIVES AND OTHER COUNTRY REGULATIONS AS DESCRIBED IN GS-22-008
- LEAD FREE P/N PACKAGING MEETS GS-14-920 SPECIFICATION

mat'l. code				tolerances unless otherwise specified		CUSTOMER COPY		 Electronics www.fciconnect.com	
ltr	ecn no	dr	date	linear	.X±.3		projection	title	
E					.XX±.13			CARDBUS DOUBLE DECK	
					.XXX±.051			ASS'Y SMT TYPE 123	
				angles	0° ±2'		 MM	product family	
				dr	R.GRAPE	9/9/96		MCS	
				enr	D.BRANN	9/9/96		code	
				chr	D.BRANN	9/9/96		-	
				appd	D.BRANN	9/9/96	scale	sheet	
sheet index		revision sheet				1:1		9 of	